



**16 Gauge™**

304 Premium Stainless Steel

ACCESSORIES INCLUDED



02 Bottom Grids



01 Strainer & Basket



01 Cutting Board

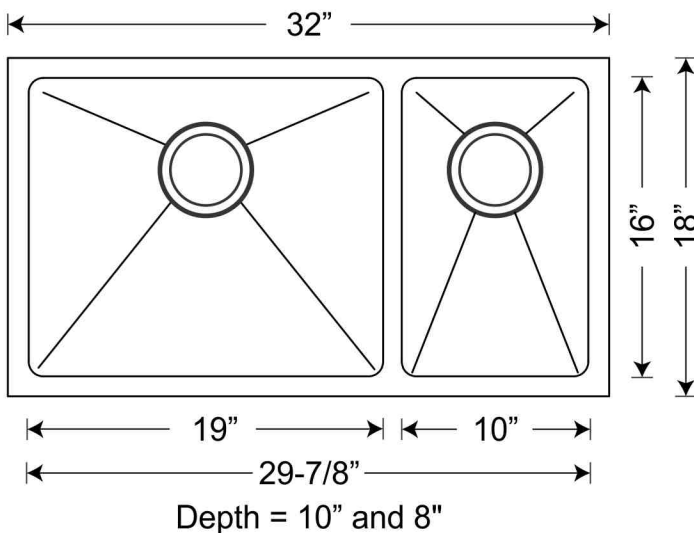


01 Salad Bowl

This model is made from durable 16 gauge 304 premium stainless steel, highly resistant to heat, most household stains, and rust for the life of the product.

**CHEF-Z203 - CHEF ZERO SERIES**

- Undermount 1-1/2 double bowl kitchen sink
- Premium stainless steel 304
- 18/8 chrome nickel content
- 20mm/0.75 radius coved corners
- Pro-Vest™ undercoat protection over Sound Shield™ pads
- Template and mounting hardware included
- Satin finish - Fits 36" cabinet
- 3 1/2" drain opening



SINK FEATURES



Stone sinks feature Sound-Shield pads on several strategic areas of every sink for extra sound proofing. Made of natural rubber, the Sound-Shield pads reduce the noise of clattering dishes and running water.



Pro Vest is a protective coating over the Sound-Shield pads. This system reduces noise, prevents condensation, and helps maintaining water temperature when pre-soaking dishes.



All Stone sinks receive expert hands-on care under strict quality control throughout every stage of our modern manufacturing process. This ensures a "NO HASSLE" Limited Lifetime Warranty against all manufacturing defects in material and workmanship under normal use. Please read our Limited Lifetime Warranty policy at our web site: www.StoneUsa.com.

CODE / STANDARDS COMPLIANCE

All Stone sinks meet or exceed the following specifications:  
ASME 112.19.3-2008 - IAPMO/UPC listed - CSA B45.4-2008



OPTIONAL ACCESSORIES



SIS-S01-00  
Basket Strainer  
Brushed Nickel

QTY



SIS-S06-00  
Disposal Flange  
Brushed Nickel

QTY



SIS-WCB-Z203  
Wood Cutting  
Board

QTY



SIS-COLANDER  
Stainless Steel  
Colander

QTY

JOB INFORMATION

JOB NAME: \_\_\_\_\_ MODEL SPECIFIED: \_\_\_\_\_ QUANTITY: \_\_\_\_\_  
DATE: \_\_\_\_\_ ARCHITECT/ENGINEER: \_\_\_\_\_  
CUSTOMER: \_\_\_\_\_ CONTRACTOR: \_\_\_\_\_